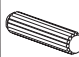







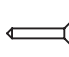
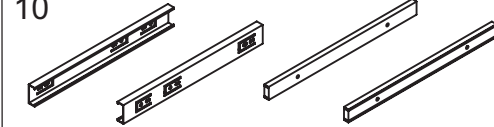
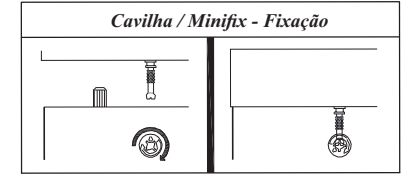


Esquema de Montagem

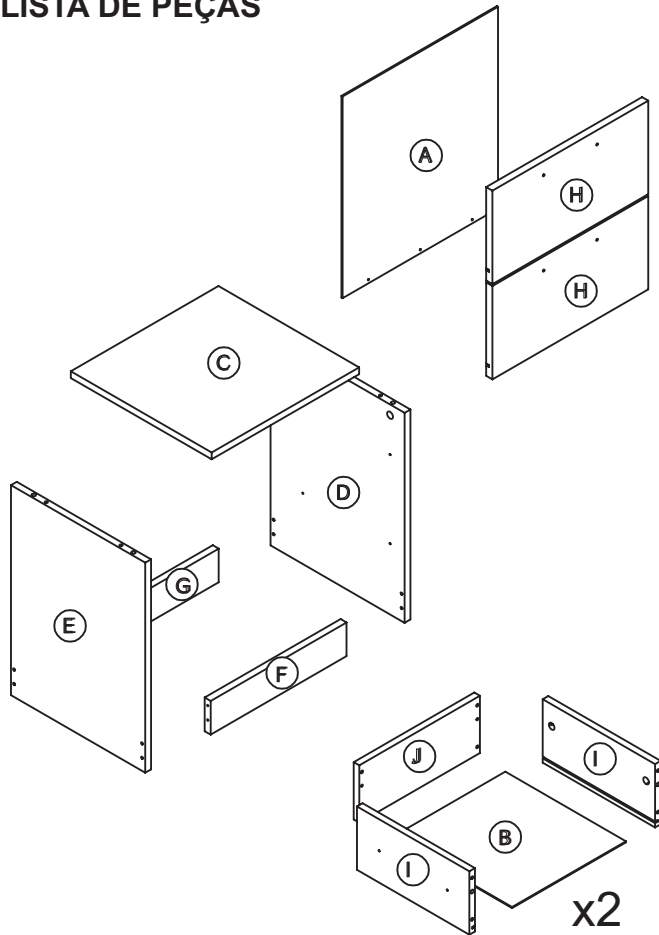
 30 min

 ASSEMBLY TOOLS	 REQUIRED ASSEMBLY TOOLS	 ASSEMBLED DIMENSIONS	 1 PERSON ASSEMBLY
---	--	---	--

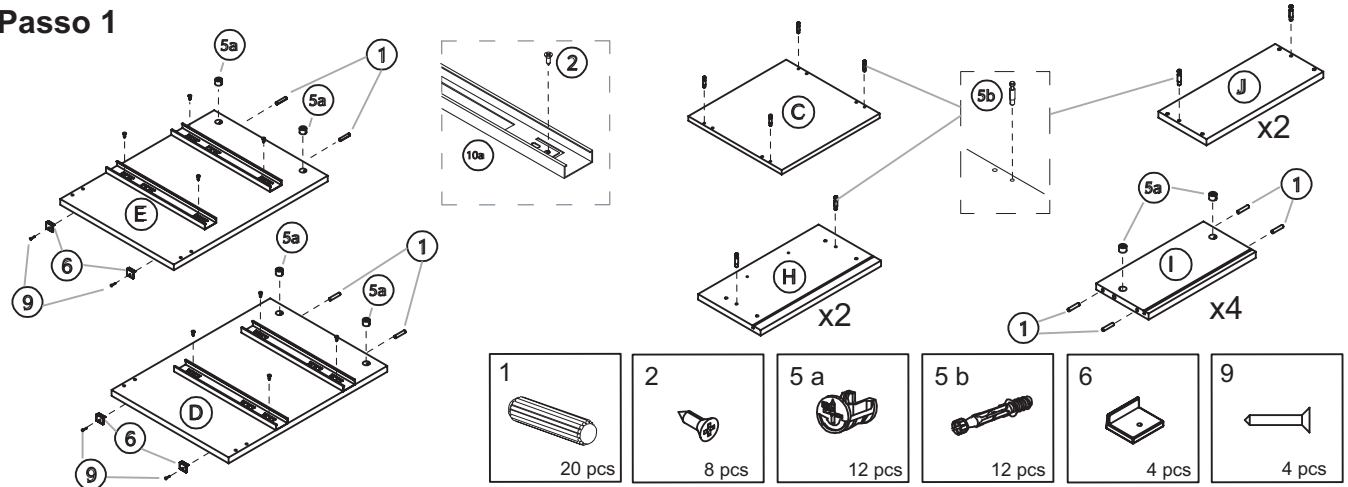
1  6 x 30mm 20 pcs	2  3.5 x 14mm 19 pcs	3  3.5 x 25mm 4 pcs	4  4 x 50mm 8 pcs	5  5 a 5 b 12 pcs	6  Sapata Plástica 4 pcs	7  Tapa furo de 18mm 20 pcs	8  Puxador 2 pcs	9  Prego 12 pcs	10  10 a 10 b 2 Corrediças(300 mm)
---	--	---	---	---	--	---	--	---	--



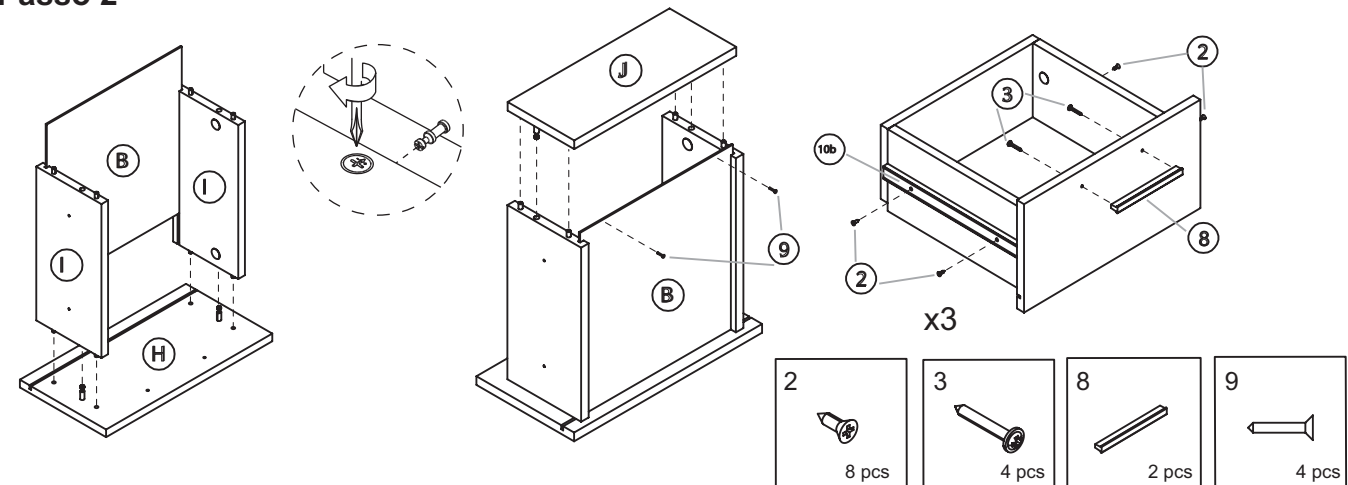
LISTA DE PEÇAS



Passo 1

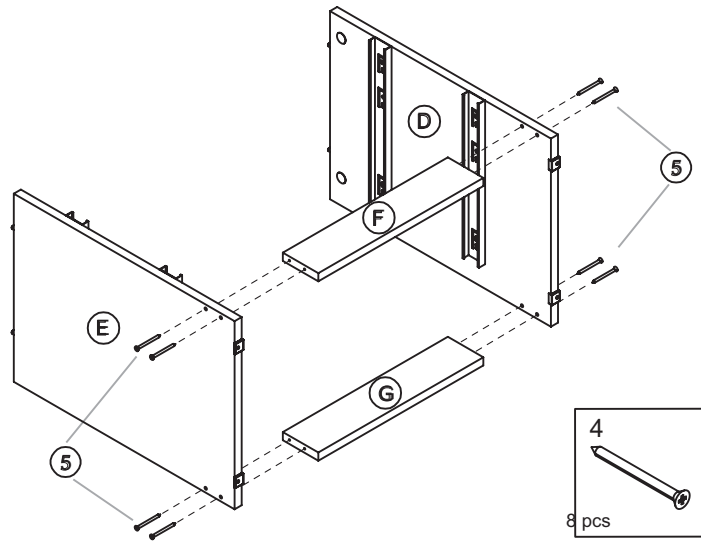


Passo 2

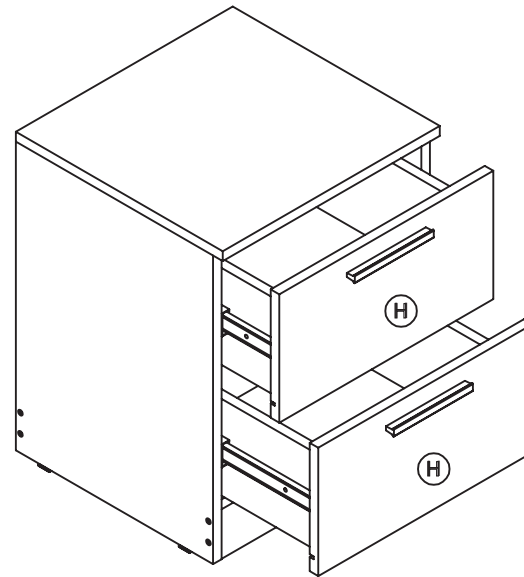


Assembly Instruction

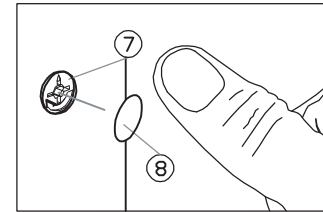
Passo 3



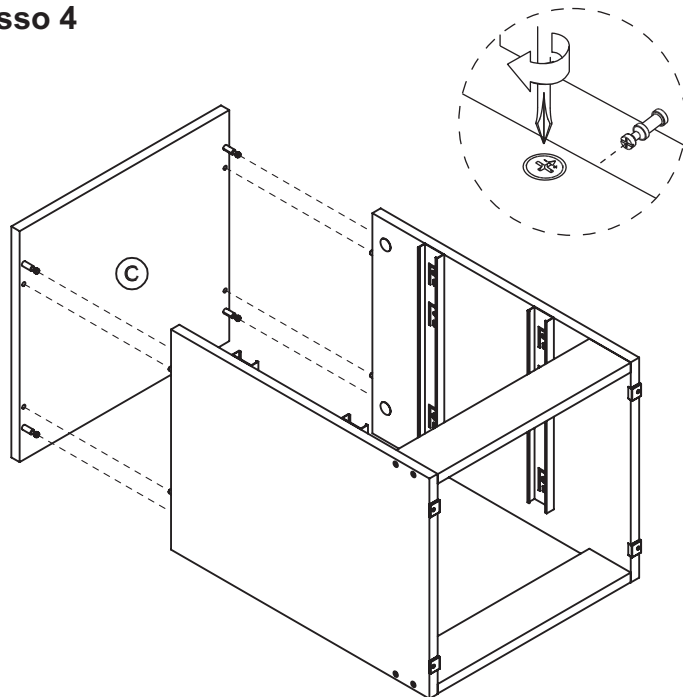
Passo 5



Passo 7



Passo 4



Passo 6

