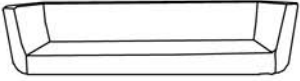
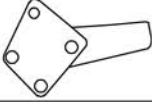
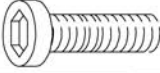

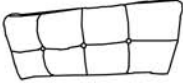
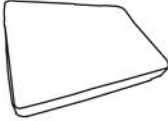
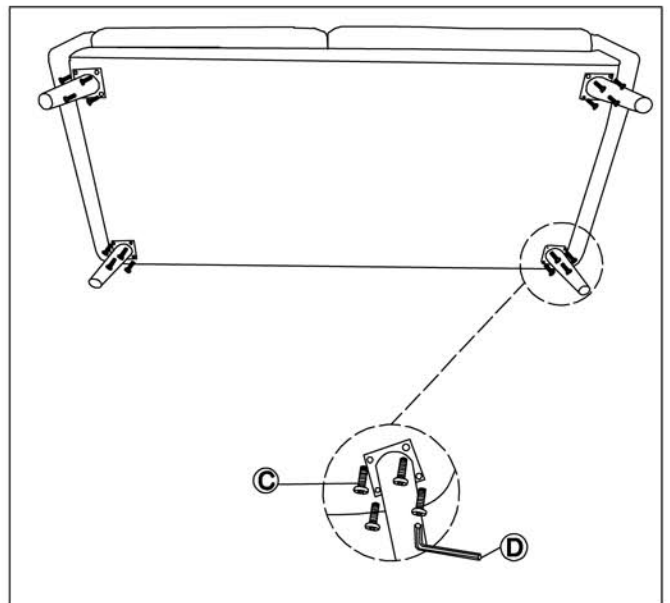
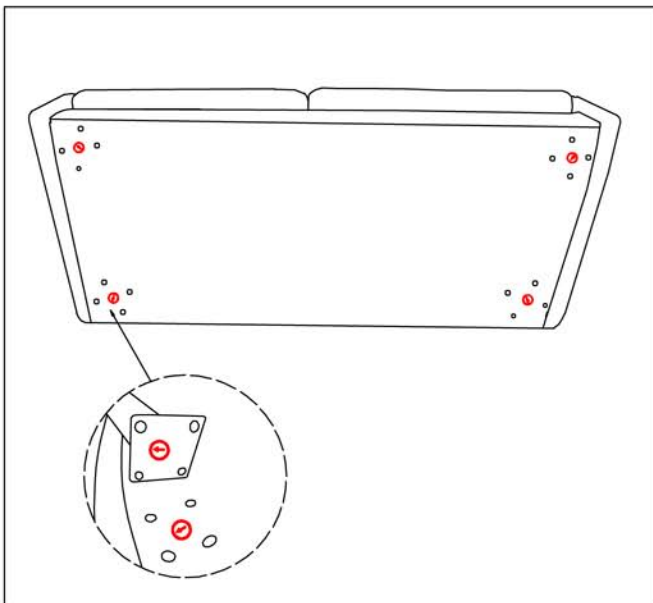
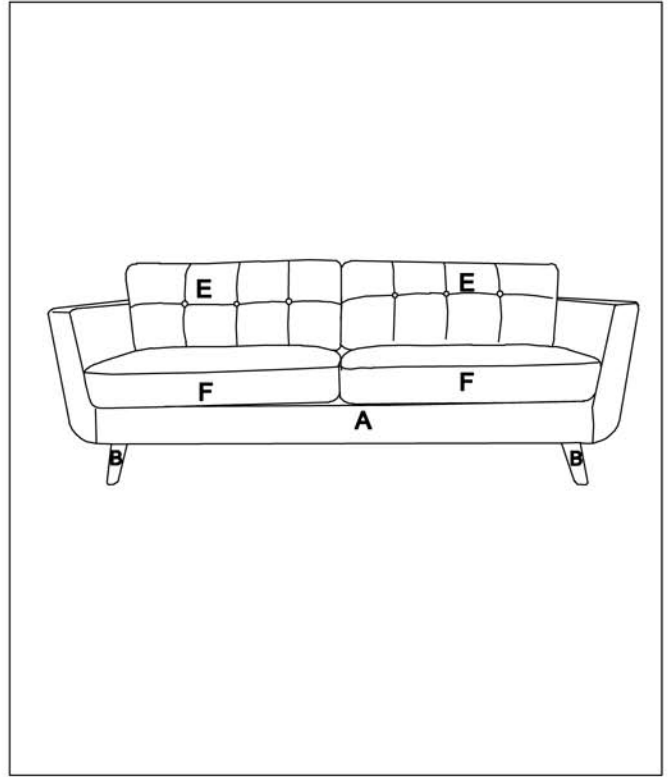


# GUIA DE MONTAGEM

A		1PC
B		4PCS
C		16PCS
D		1PC
E		2PCS
F		2PCS



**NOTE: ACCORDING TO THIS LABEL INSTALL LEGS**